

DEUTSCH AUTOSPORT ASDD 118-WAY CONNECTORS

HIGH DENSITY AND HIGH PERFORMANCE

High Pin Counts in a Rugged Double-Density Connector
That Saves Weight and Space

iS Motorsport

ASDD 118-WAY CONNECTORS

High Density and High Performance



High Density and High Performance

- Allows for a saving of 2 shell sizes relative to standard Autosport planforms
- Very lightweight
- Almost double the number of contacts compared with the standard Autosport range equivalent shell size
- Integral screen

Built to Help Withstand Harsh Environments

- Conductive black zinc finish
- Interfacial wire sealing
- Bonded and sealed insert to help prevent moisture ingress

DEUTSCH ASDD Series connectors from TE Connectivity (TE) have been developed to bring together high density and high performance, inline with racing teams using smaller wire sizes.

The AS Double Density range allows almost double the number of contacts to be packaged in the same shell as compared to the standard AS Series connectors.

APPLICATIONS

Engine Control Units
Gearbox Control Units
Data Loggers

ENVIRONMENTAL/MECHANICAL

Operating Temperatures: -55°C to +170°C

Durability: 500 mating cycles

MATERIALS

Shell: high strength aluminum alloy, black zinc finish

Insert: thermoplastic

Seals: fluorinated silicone

Contacts: gold plated copper alloy

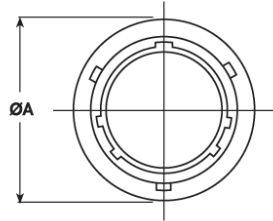
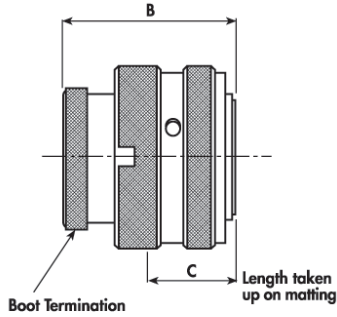
ELECTRICAL

Dielectric Withstanding Voltage: 750V

Contact Current Rating (Max.): 3 Amps

DEUTSCH ASDD 118-Way Series connectors

Plug Connector

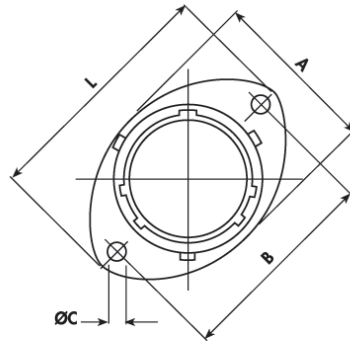
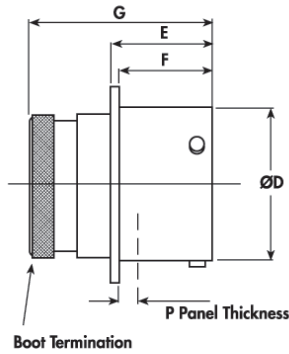


Shell Size	A Max.	B Max.	C Max.
18	34.8	33.50	15.00

All dimensions are in mm unless otherwise stated.

Receptacle Connector

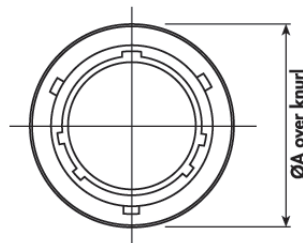
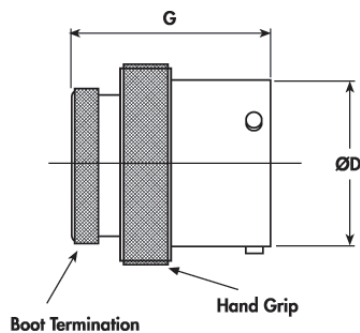
RECEPTACLE - TYPE 0



Shell Size	A Ref.	B ± 0.2	C +0.1 - 0	D + 0 - 0.13	E + 0.15 - 0	F + 0 - 0.13	G Max.	L Max.	P Max.
18	33.70	38.20	3.20	28.57	17.21	16.05	33.50	44.70	3.00

All dimensions are in mm unless otherwise stated.

INLINE RECEPTACLE - TYPE 1



Shell Size	A Max.	D +0 -0.13	G Max.
18	34.8	28.57	33.50

All dimensions are in mm unless otherwise stated.

DEUTSCH ASDD 118-Way Series connectors

GENERAL SPECIFICATION

Connector	Contact Size	Shell Size	Max. Current (Amps)	Disability (cycles of engagement and disengagements)	Dielectric Withstanding Voltage (VAC)	Number of Keyways Orientations	Wire Sealing (mm)		Temperature (°C)	
							Min.	Max.	Min.	Max.
18-118	24	18	3	500	750	6	0.56	1.02	-55	+170

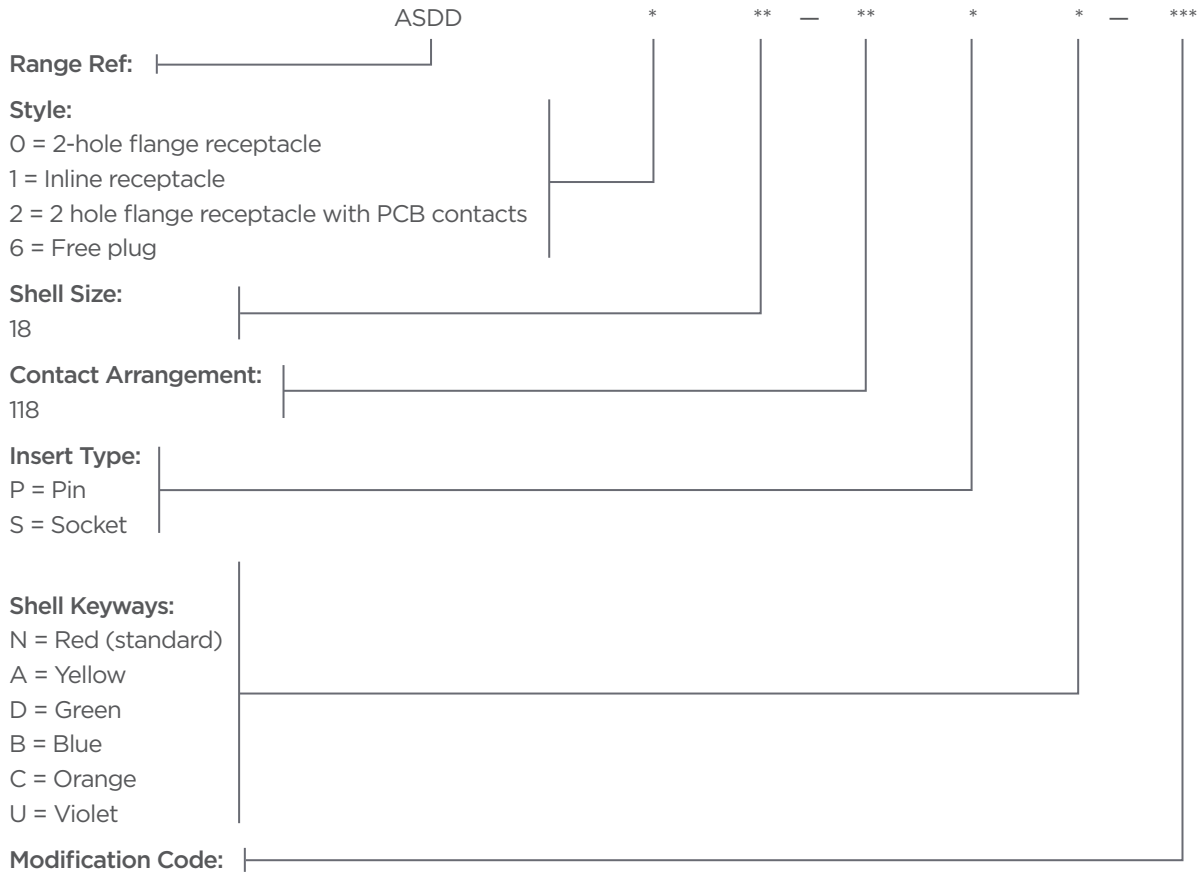
CONTACTS AND TOOLING PART NUMBERS

Connector	Socket	Pin	PCB Socket	PCB Pin	Ins/Ext Tool	Socket Positioner	Pin Positioner
18-118	605721	605719-31	PCB versions are ordered with AS2 prefixes and come with contacts.		605837	610287	610286

CONTACT TYPES

Contact Size	Part No.	P/S	Wire Range	Colour Band	Max Current	Crimp tool	Positioner	Plastic Tools Insert/Removal	
Size 24 ASDD	605719-31	P	24-30	None	3 Amps	M22520/2-01	610286	P	605837 Orange/White
	605721	S					610287	S	

ORDERING INFORMATION



DEUTSCH ASDD 118-Way Series connectors

BOOT INFORMATION

Shell Size	Straight Boot		90 Degree Boot	
	RAYCHEM	HELLERMAN	RAYCHEM	HELLERMAN
18	202K153	156-42-G	222K152	1156-4-G

ACCESSORIES

Shell Size	Nutplate	Gasket	Plug/receptacle	Protective Cap
18	ATM396-18	GV-18	Plug	AS8-18
			Receptacle	AS9-18

WIRE SIZES AND DIMENSIONS

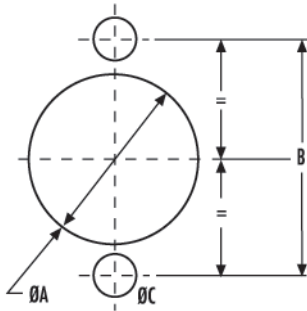
Autosport size		Finished Wire Dimensions			
Contact Size	Wire Size (AWG)	Conductor		Insulation	
		Min.	Max.	Min.	Max.
24	30,28,26,24	0.254mm 0.01in	0.511mm 0.02in	0.56mm 0.22in	1.02mm 0.04in

FILLER PLUGS

Contact Size	Part Number
24	600300-24

DEUTSCH ASDD 118-Way Series connectors

PANEL CUT-OUT DETAIL



Shell Size	A ± 0.10	B ± 0.20	C ± 0.20
18	31.40	38.20	3.6

All dimensions are in mm unless otherwise stated.

Tel: +1 (317) 244 6643 • Fax: +1 (317) 244 6693 • sales@is-motorsport.com • www.is-motorsport.com

286A Gasoline Alley, Indianapolis, Indiana, IN 46222, USA.

© 2015 TE Connectivity Ltd. family of companies. All Rights Reserved.

DEUTSCH, Raychem, TE, TE Connectivity and the TE connectivity (logo) are trademarks of the TE Connectivity Ltd. family of companies.

Other products, logos, and company names mentioned herein may be trademarks of their respective owners.

While TE has made every reasonable effort to ensure the accuracy of the information herein, nothing herein constitutes any guarantee that such information is error-free, or any other representation, warranty or guarantee that the information is accurate, correct, reliable or current. The TE entity issuing this publication reserves the right to make any adjustments to the information contained herein at any time without notice. All implied warranties regarding the information contained herein, including, but not limited to, any implied warranties of merchantability or fitness for a particular purpose are expressly disclaimed. The dimensions herein are for reference purposes only and are subject to change without notice. Specifications are subject to change without notice.

Consult TE for the latest dimensions and design specifications.